

4VC and 4VCX

4" Non-Clog Wastewater Pumps
Standard (4VC) and Explosion-Proof (4VCX) Construction



APPROVED
(4VCX only)

THE 4VC AND 4VCX (EXPLOSION-PROOF) SUBMERSIBLE WASTEWATER PUMPS ARE A HEAVY-DUTY 4" NON-CLOG SERIES CAPABLE OF PASSING A FULL 3³/₁₆" SPHERICAL SOLID.

Myers rounded port, 2-vane, enclosed impellers prevent solids from binding or clogging and offer high operating efficiencies to cut your pumping costs. The 4VC series modified constant velocity volute case provides smooth operation over an extended portion of the performance curve for longer seal and bearing life. For use in municipal lift stations, treatment plants and industrial waste applications. Myers offers a complete line of wastewater pumps, lift-out rail assemblies, controls and accessories to meet your needs. Call your Myers distributor or the Myers Ohio sales office at 419-289-1144 for more details.

ADVANTAGES BY DESIGN

HIGH EFFICIENCY HYDRAULIC DESIGN CUTS PUMPING COSTS AND EXTENDS LIFE OF FLUID END COMPONENTS.

- Two-vane, rounded port, enclosed type impellers handle 3³/₁₆" solids with ease at high operating efficiencies.
- Modified constant velocity volute offers quiet operation, low radial loads over extended portion of performance curve.

DURABLE MOTOR WILL DELIVER MANY YEARS OF RELIABLE SERVICE

- Oil-filled motor for maximum heat dissipation and constant bearing lubrication.
- Heat sensor thermostats imbedded in windings protect motor from overheat conditions.
- Seal leak probes warn of moisture entry; helps prevent costly motor burnout.
- Double tandem shaft seals prevent sewage from entering motor.
- Power and control cables are triple sealed with epoxy, compression grommet and terminal board.

AVAILABLE WITH OPTIONAL FM APPROVAL FOR USE IN CLASS 1, GROUPS C AND D HAZARDOUS LOCATIONS (4VCX ONLY).

PRODUCT CAPABILITIES

Capacities To	1800 gpm	113.4 l/s
Heads To	165 ft.	50.3 m
Solids Handling	3 ³ / ₁₆ in.	80 mm
Liquids Handling	raw unscreened sewage, effluent, storm water	
Intermittent Liquid Temp.	up to 140°F	up to 60°C
Winding Insulation Temp. (Class H)	356°F	180°C
Available Motors	1750 RPM: 15 HP, 200, 230, 460, 575V, 3Ø, 60 Hz 20-60 HP, 230, 460, 575V, 3Ø, 60 Hz. 1150 RPM: 5-10 HP, 200, 230, 460, 575V, 3Ø, 60 Hz. 870 RPM: 2-7 ¹ / ₂ HP, 200, 230, 460, 575V, 3Ø, 60 Hz.	
Std. Third Party Approvals	CSA	
Optional Approvals	FM, Class 1, Groups C & D (4VCX only)	
Acceptable pH Range	6 - 9	
Specific Gravity	.9 - 1.1	
Viscosity	28 - 35 SSU	
Discharge, Horizontal Flanged Centerline	4 in. 125 lb. ANSI	101.6 mm

NOTE: Consult factory for applications outside of these recommendations.

Construction Materials	
Motor Housing, Seal Housing, Cord Cap and Volute Case	cast iron, Class 30 ASTM A48
Enclosed 2-Vane Impeller	ductile iron, Class 65 ASTM A536
Power and Control Cord	25 ft. SOOW
Mechanical Seals Standard Optional	double tandem, type 21 carbon and ceramic lower tungsten, carbide
Pump, Motor Shaft	416 SST
Fasteners	300 Series SST
Volute Wear Ring	brass

WHERE INNOVATION MEETS TRADITION

Myers®

Pentair Water

POWER & CONTROL CORDS
SOOW, FM and CSA approved oil-resistant cable.

CABLE ENTRY SYSTEM
Provides triple seal protection. Cable jacket sealed by compression grommet. Individual wires sealed by epoxy potting. Terminal board separates motor chamber from cord cap.

HEAT SENSOR
Protects motor from burnout due to excessive heat from any overload condition. Automatically resets when motor has cooled.

MOTOR STATOR
Heat shrunk into housing for perfect alignment and best heat transfer. Oil-filled motor conducts heat and lubricates bearings.

BALL BEARINGS
Upper and lower ball bearings support shaft and rotor and take axial and radial loads.

HEAVY 416 SST SHAFT
Corrosion resistant.

SHAFT SEALS
Double tandem mechanical shaft seals protect motor. Oil-filled seal chamber provides continuous lubrications.

SEAL LEAK PROBES
Detect water in seal housing. Activates warning light in control panel.

SLEEVE BEARING
Takes radial shock load; provides flame path.

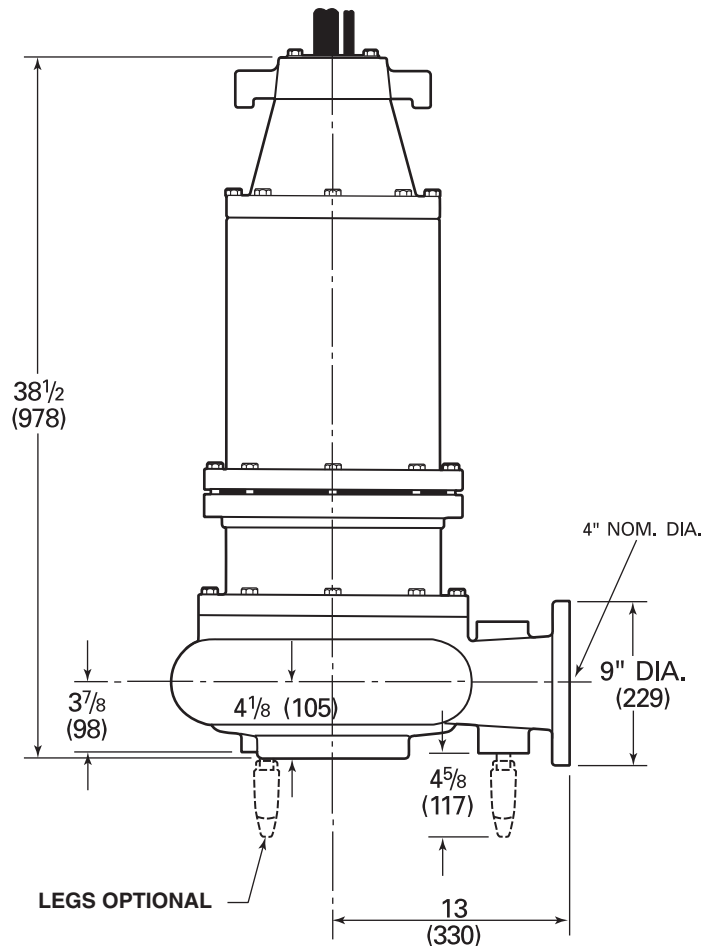
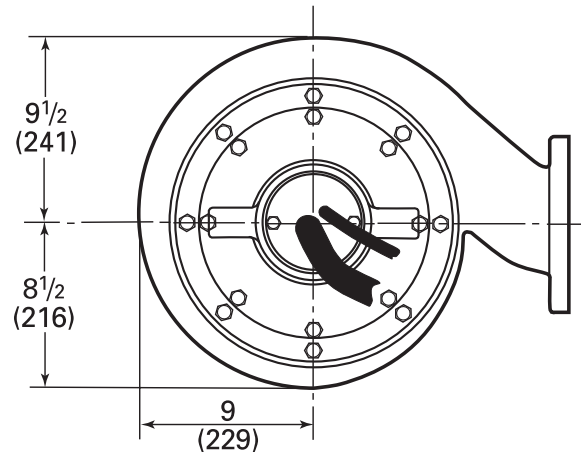
VOLUTE CASE
Modified constant velocity volute handles 3³/₁₆" solids. 4" ANSI 125 lb. flange.

HIGH EFFICIENCY IMPELLER
2-vane with rounded ports. Handles 3³/₁₆" solids. Pumpout vanes help keep trash from seal; reduces pressure at seal faces.

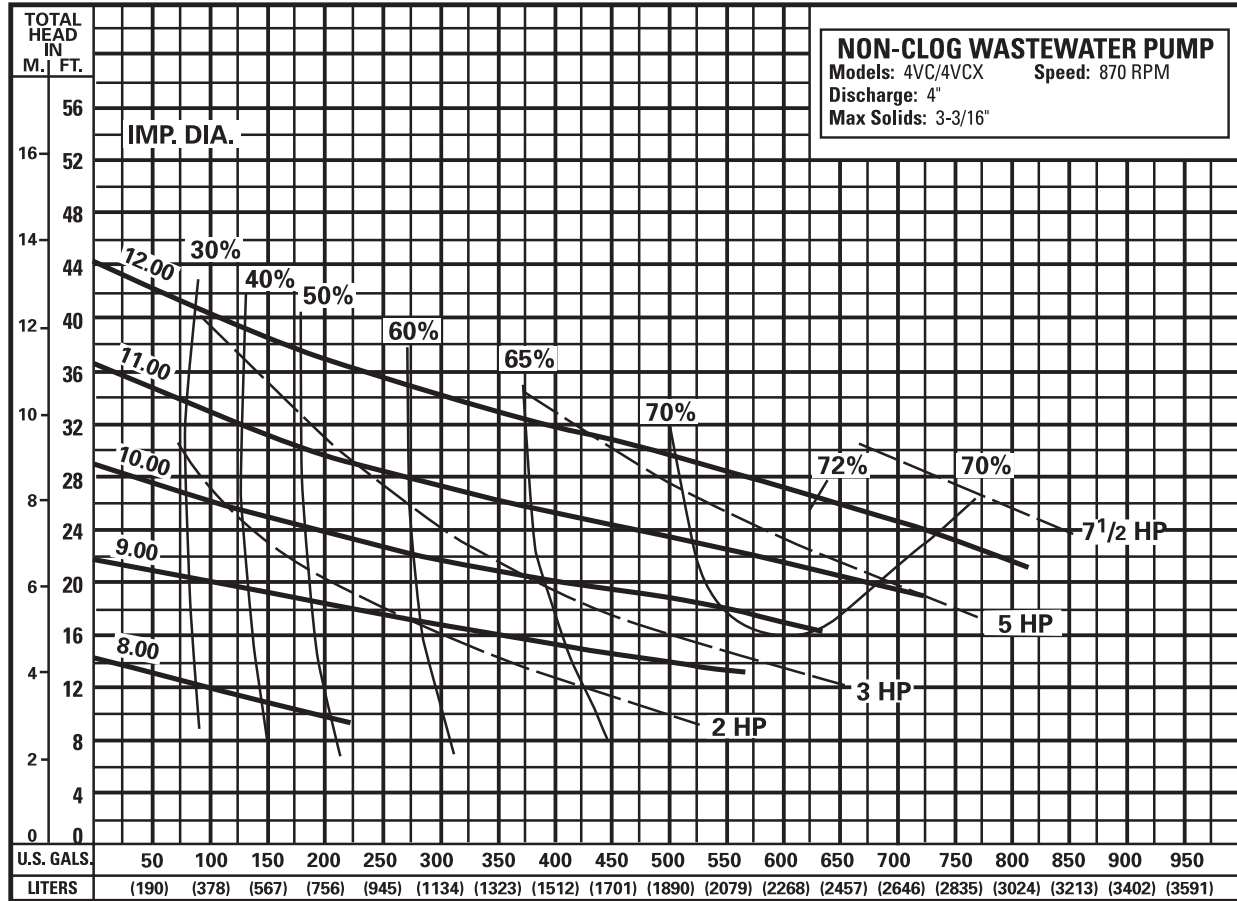
BRASS WEAR RING
Prevents rust buildup and reduces leakage and wear. Replaceable to restore original running clearances and pump efficiencies.

DIMENSIONS

() dimensions in mm



PUMP PERFORMANCE

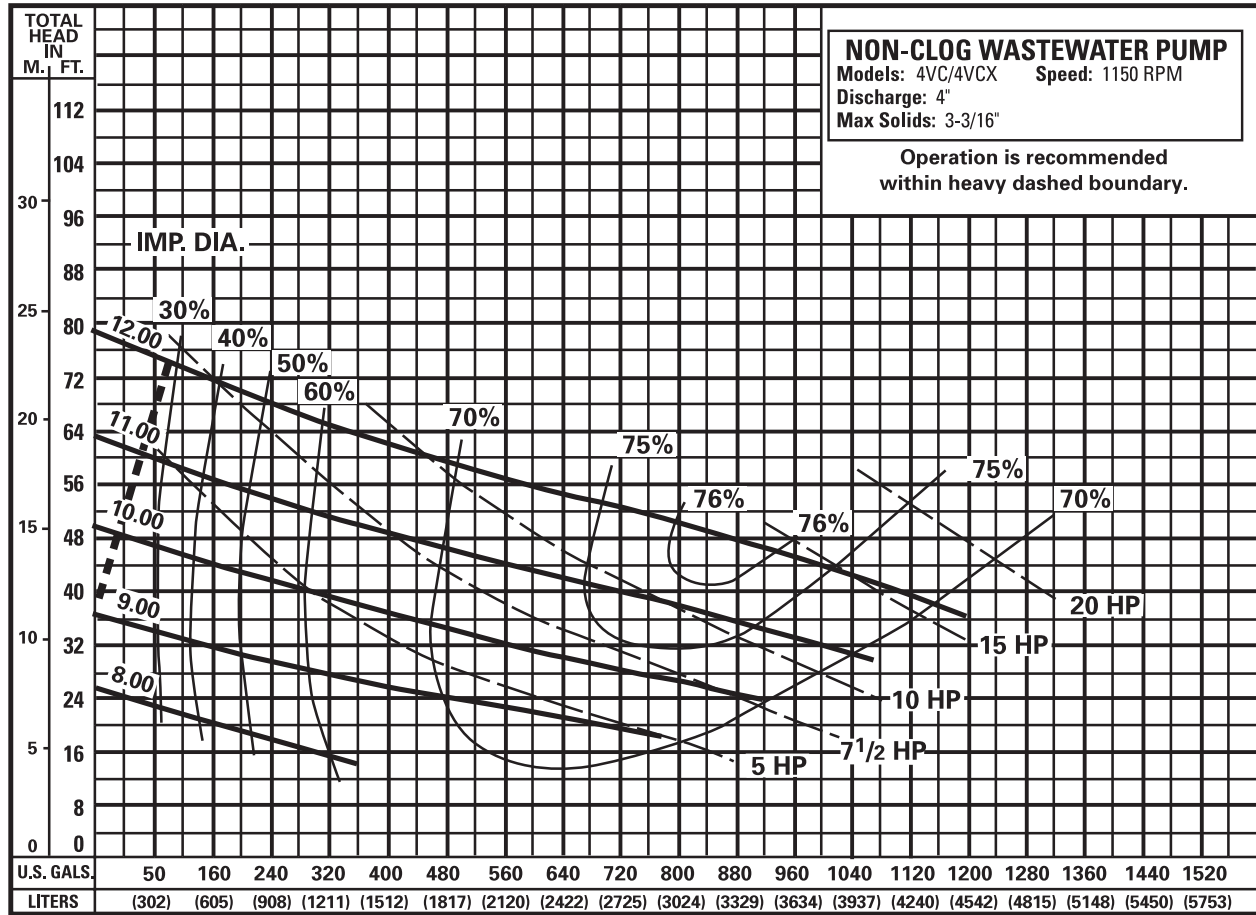


Pump performance is based on clear water (1.0 specific gravity @ 68°F) and pump fluid end (hydraulic) efficiency. Motor data based on 40°C ambient temperature.

Available Models		Motor Electrical Data													
Standard	Explosion-Proof	HP	Volts	Phase	Hertz	Start Amps	Run Amps	Service Factor Amps	Run KW	Service Factor KW	Start KVA	Run KVA	NEC Code Letter	Service Factor	
4VC20M8-03	4VCX20M8-03	2	200	3	60	103.5	10.8	13	2.7	3.3	36.0	3.8	K	1.2	
4VC20M8-23	4VCX20M8-23	2	230	3	60	90	9.5	11.4	2.7	3.3	36.0	3.8	K	1.2	
4VC20M8-43	4VCX20M8-43	2	460	3	60	45	4.8	5.7	2.7	3.3	36.0	3.8	K	1.2	
4VC20M8-53	4VCX20M8-53	2	575	3	60	36	3.8	4.6	2.7	3.3	36.0	3.8	K	1.2	
4VC30M8-03	4VCX30M8-03	3	200	3	60	103.5	15.6	19	3.9	4.8	36.0	5.4	H	1.2	
4VC30M8-23	4VCX30M8-23	3	230	3	60	90	13.7	16.6	3.9	4.8	36.0	5.4	H	1.2	
4VC30M8-43	4VCX30M8-43	3	460	3	60	45	6.8	8.3	3.9	4.8	36.0	5.4	H	1.2	
4VC30M8-53	4VCX30M8-53	3	575	3	60	36	5.4	6.6	3.9	4.8	36.0	5.4	H	1.2	
4VC50M8-03	4VCX50M8-03	5	200	3	60	103.5	24.1	28.8	6.0	7.3	36.0	8.4	J	1.2	
4VC50M8-23	4VCX50M8-23	5	230	3	60	90	21	25	6.0	7.3	36.0	8.4	J	1.2	
4VC50M8-43	4VCX50M8-43	5	460	3	60	45	10.5	12.5	6.0	7.3	36.0	8.4	J	1.2	
4VC50M8-53	4VCX50M8-53	5	575	3	60	36	8.4	10	6.0	7.3	36.0	8.4	J	1.2	
4VC75M8-03	4VCX75M8-03	7.5	200	3	60	149	30.3	36.8	7.7	9.4	52.0	10.6	H	1.2	
4VC75M8-23	4VCX75M8-23	7.5	230	3	60	130	26.4	32	7.7	9.4	52.0	10.6	H	1.2	
4VC75M8-43	4VCX75M8-43	7.5	460	3	60	65	13.2	16	7.7	9.4	52.0	10.6	H	1.2	
4VC75M8-53	4VCX75M8-53	7.5	575	3	60	52	10.6	12.8	7.7	9.4	52.0	10.6	H	1.2	

Motor Efficiencies and Power Factor									
		Motor Efficiency %				Power Factor %			
HP	Phase	Service Factor Load	100% Load	75% Load	50% Load	Service Factor Load	100% Load	75% Load	50% Load
2	3	73	72	67	59	72	71	65	55
3	3	74	73	69	62	73	72	66	57
5	3	83	81	76.5	67.5	73	72	66.5	58
7.5	3	83.5	82	77	69	74	73	68	60

PUMP PERFORMANCE

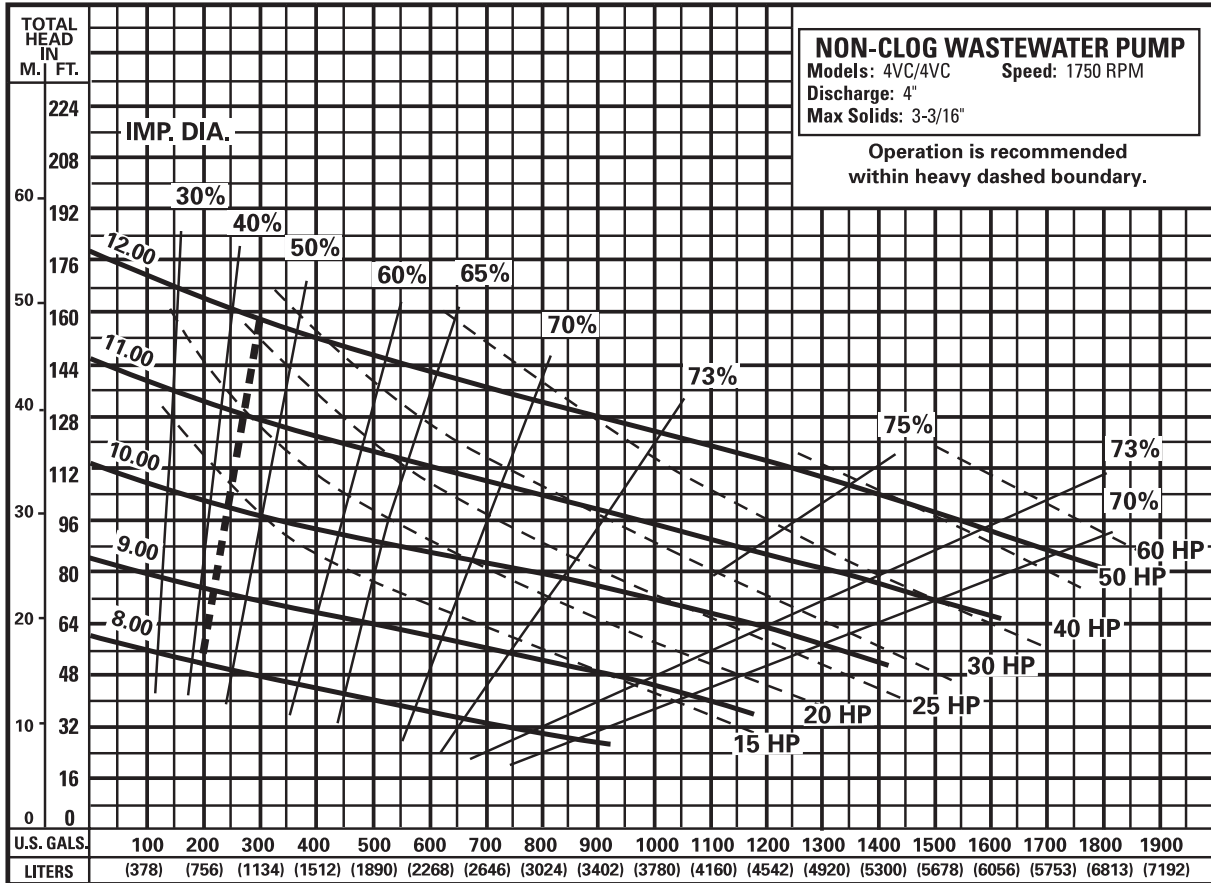


Pump performance is based on clear water (1.0 specific gravity @ 68°F) and pump fluid end (hydraulic) efficiency. Motor data based on 40°C ambient temperature.

Available Models		Motor Electrical Data												
Standard	Explosion-Proof	HP	Volts	Phase	Hertz	Start Amps	Run Amps	Service Factor Amps	Run KW	Service Factor KW	Start KVA	Run KVA	NEC Code Letter	Service Factor
4VC50M6-03	4VCX50M6-03	5	200	3	60	106	19.3	23	4.8	5.8	36.7	6.7	J	1.2
4VC50M6-23	4VCX50M6-23	5	230	3	60	92	16.8	20	4.8	5.8	36.7	6.7	J	1.2
4VC50M6-43	4VCX50M6-43	5	460	3	60	46	8.4	10	4.8	5.8	36.7	6.7	J	1.2
4VC50M6-53	4VCX50M6-53	5	575	3	60	37	6.7	8	4.8	5.8	36.7	6.7	J	1.2
4VC75M6-03	4VCX75M6-03	7.5	200	3	60	197	27	32.2	6.8	8.4	68.5	9.4	H	1.2
4VC75M6-23	4VCX75M6-23	7.5	230	3	60	172	23.6	28	6.8	8.4	68.5	9.4	H	1.2
4VC75M6-43	4VCX75M6-43	7.5	460	3	60	86	11.8	14	6.8	8.4	68.5	9.4	H	1.2
4VC75M6-53	4VCX75M6-53	7.5	575	3	60	69	9.4	11.2	6.8	8.4	68.5	9.4	H	1.2
4VC100M6-03	4VCX100M6-03	10	200	3	60	197	34.3	41.4	8.8	10.9	68.5	12.0	H	1.2
4VC100M6-23	4VCX100M6-23	10	230	3	60	172	30	36	8.8	10.9	68.5	12.0	H	1.2
4VC100M6-43	4VCX100M6-43	10	460	3	60	86	15	18	8.8	10.9	68.5	12.0	H	1.2
4VC100M6-53	4VCX100M6-53	10	575	3	60	69	12	14.4	8.8	10.9	68.5	12.0	H	1.2
4VC150M6-03	4VCX150M6-03	15	200	3	60	276	48	59.8	13.0	15.7	95.6	17.5	H	1.2
4VC150M6-23	4VCX150M6-23	15	230	3	60	240	44	52	13.0	15.7	95.6	17.5	H	1.2
4VC150M6-43	4VCX150M6-43	15	460	3	60	120	22	26	13.0	15.7	95.6	17.5	H	1.2
4VC150M6-53	4VCX150M6-53	15	575	3	60	96	17.6	20.8	13.0	15.7	95.6	17.5	H	1.2
4VC200M6-03	4VCX200M6-03	20	200	3	60	333	66.3	80.5	17.2	21.4	115.5	23.0	G	1.2
4VC200M6-23	4VCX200M6-23	20	230	3	60	290	58	70	17.2	21.4	115.5	23.0	G	1.2
4VC200M6-43	4VCX200M6-43	20	460	3	60	145	29	35	17.2	21.4	115.5	23.0	G	1.2
4VC200M6-53	4VCX200M6-53	20	575	3	60	116	23	28	17.2	21.4	115.5	23.0	G	1.2

Motor Efficiencies and Power Factor									
		Motor Efficiency %				Power Factor %			
HP	Phase	Service Factor Load	100% Load	75% Load	50% Load	Service Factor Load	100% Load	75% Load	50% Load
5	3	82	81	77	68	74	72	66	56
7.5	3	84	83	79	71	75	73	66.5	56.5
10	3	87	86	82	75	76	74	67	57
15	3	88	88	86.5	82.5	76	74.5	68	57.5
20	3	88	88	87	83	77	75	69	59

PUMP PERFORMANCE



Pump performance is based on clear water (1.0 specific gravity @ 68°F) and pump fluid end (hydraulic) efficiency. Motor data based on 40°C ambient temperature.

Available Models		Motor Electrical Data												
Standard	Explosion-Proof	HP	Volts	Phase	Hertz	Start Amps	Run Amps	Service Factor Amps	Run KW	Service Factor KW	Start KVA	Run KVA	NEC Code Letter	Service Factor
4VC150M4-03	4VCX150M4-03	15	200	3	60	334	50.6	61	15.0	18.6	115.5	17.5	E	1.2
4VC150M4-23	4VCX150M4-23	15	230	3	60	290	44	53	15.0	18.6	115.5	17.5	E	1.2
4VC150M4-43	4VCX150M4-43	15	460	3	60	145	22	26.5	15.0	18.6	115.5	17.5	E	1.2
4VC150M4-53	4VCX150M4-53	15	575	3	60	116	17.6	21.2	15.0	18.6	115.5	17.5	E	1.2
4VC200M4-03	4VCX200M4-03	20	200	3	60	334	62.5	75	21.2	26.1	115.5	23.9	G	1.2
4VC200M4-23	4VCX200M4-23	20	230	3	60	290	60	72	21.2	26.1	115.5	23.9	G	1.2
4VC200M4-43	4VCX200M4-43	20	460	3	60	145	30	36	21.2	26.1	115.5	23.9	G	1.2
4VC200M4-53	4VCX200M4-53	20	575	3	60	116	24	28.8	21.2	26.1	115.5	23.9	G	1.2
4VC250M4-03	4VCX250M4-03	25	200	3	60	575	78.3	92.2	26.9	33.3	180.1	30.3	G	1.2
4VC250M4-23	4VCX250M4-23	25	230	3	60	452	76	92	26.9	33.3	180.1	30.3	G	1.2
4VC250M4-43	4VCX250M4-43	25	460	3	60	226	38	46	26.9	33.3	180.1	30.3	G	1.2
4VC250M4-53	4VCX250M4-53	25	575	3	60	181	30.4	36.8	26.9	33.3	180.1	30.3	G	1.2
4VC300M4-03	4VCX300M4-03	30	200	3	60	575	92.2	110.7	33.3	41.3	180.1	37.4	G	1.2
4VC300M4-23	4VCX300M4-23	30	230	3	60	452	94	114	33.3	41.3	180.1	37.4	G	1.2
4VC300M4-43	4VCX300M4-43	30	460	3	60	226	47	57	33.3	41.3	180.1	37.4	G	1.2
4VC300M4-53	4VCX300M4-53	30	575	3	60	181	37.6	45.6	33.3	41.3	180.1	37.4	G	1.2
4VC400M4-43	4VCX400M4-43	40	460	3	60	290	61	74	43.2	53.0	231.1	48.6	G	1.2
4VC400M4-53	4VCX400M4-53	40	575	3	60	232	48.8	59.2	43.2	53.0	231.1	48.6	G	1.2
4VC500M4-43	4VCX500M4-43	50	460	3	60	290	67	79	46.9	54.6	231.1	53.4	E	1.2
4VC500M4-53	4VCX500M4-53	50	575	3	60	232	54	63	46.9	54.6	231.1	53.4	E	1.2
4VC600M4-43	4VCX600M4-43	60	460	3	60	290	79	79	52.8	52.8	231.1	62.9	C	1.0
4VC600M4-53	4VCX600M4-53	60	575	3	60	232	63	63	52.8	52.8	231.1	62.9	C	1.0

Motor Efficiencies and Power Factor									
		Motor Efficiency %				Power Factor %			
HP	Phase	Service Factor Load	100% Load	75% Load	50% Load	Service Factor Load	100% Load	75% Load	50% Load
15	3	85	84	79	69	88	86	78	68
20	3	88	87.5	81	72.5	91	89	79	69
25	3	87	86	81	73	91	89	80	70
30	3	87	86	83	79	91	89	82	73
40	3	86	86	88	87.5	90	89	86	80
50	3	87	86	86.5	88	87	88	88.5	84
60	3	87	87	86	88	84	84	89	86

4VC and 4VCX

SPECIFICATIONS

PUMP MODEL — Pump shall be Myers Model Number 4VC/4VCX Non-Clog submersible Pump with 2 vane enclosed impeller. All openings in pump impeller and volute case to be large enough to pass a 3-3/16" diameter sphere. Discharge flange shall be four (4) inch standard. The pump and motor assembly shall be FM listed for Class 1, Groups C and D explosion-proof service (4VCX only).

OPERATING CONDITIONS — Pump shall have a capacity of _____ GPM at a total head of _____ feet and shall use a _____ HP motor operating at _____ RPM.

MOTOR — Pump motor shall be of the sealed submersible type rated _____ HP at _____ RPM 60 Hertz. Motor shall be for three phase 200 volts _____ 230 volts _____ 460 volts _____ or 575 volts _____. Motor shall be NEMA B type.

Stator winding shall be of the open type with Class H insulation good for 180°C maximum temperature. Winding housing shall be filled with a clean high dielectric oil that lubricates bearings and seals and transfers heat from winding and rotor to outer shell. Air-filled motors which do not have the superior heat dissipating capabilities of oil-filled motors shall not be considered equal.

Motor shall have two heavy duty ball bearings to support pump shaft and take radial and thrust loads and a sleeve guide bushing directly above the lower seal to take radial load and act as flame path for seal chamber. Ball bearings shall be designed for 50,000 hours B-10 life. Stator shall be heat shrunk into motor housing.

A heat sensor thermostat shall be attached to and imbedded in the winding and be connected in series with the motor starter contactor coil to stop motor if temperature of winding is more than 130°C. Thermostat to reset automatically when motor cools to safe operating temperature. Three heat sensors shall be used. The common pump, motor shaft shall be of 416 stainless steel.

SEALS — Motor shall be protected by two mechanical seals mounted in tandem with a seal chamber between the seals. Seal chamber shall be oil filled to lubricate seal face and to transmit heat from shaft to outer shell.

Seal face shall be carbon and ceramic and lapped to a flatness of one light band. Lower seal faces shall be _____ carbide (optional).

A double electrode shall be mounted in the seal chamber to detect any water entering the chamber through the lower seal. Water in the chamber shall cause a red light to turn on at the control box. This signal shall not stop motor but shall act as a warning only, indicating service is required.

IMPELLER — The impeller shall be ductile iron and of the 2 vane non-clog enclosed type. Vane inlet tips shall be carefully rounded to prevent stringy material from catching in vanes. Pump-out vane shall be used in front and back chamber. Impeller shall be dynamically balanced. Impeller shall be driven by stainless steel shaft key and impeller held in place with lock screw and washer. Impeller and motor shall lift off of case as a unit without disturbing discharge piping. Impeller neck shall run in bronze wear ring that is pressed into volute case.

PUMP CASE — The volute case shall be cast iron and have a flanged center line discharge. Discharge flange shall be 4" standard with bold holes straddling center line. A bronze wear ring shall be pressed into case for guiding impeller neck and to prevent corrosion freeze-up. Wear ring to be held from rotating by locking with stainless steel set screw in end of ring.

PUMP AND MOTOR CASTING — All castings shall be of high tensile cast iron and shall be treated with phosphate and chromate rinse. All fasteners shall be 302 stainless steel.

BEARING END CAP — Upper motor bearing cap shall be a separate casting for easy mounting and replacement.

POWER CABLES — Power cord and control cord shall be triple sealed. The power and control conductor shall be single strand sealed with epoxy potting compound and then clamped in place with rubber seal bushing to seal outer jacket against leakage and to provide for strain pull. A third sealing area shall be provided by a terminal board to separate the cable entry chamber from the motor chamber. Cords shall withstand a pull of 300 pounds.

Insulation of power and control cords shall be type SOOW. Both control and power cords shall have a green carrier ground conductor that attaches to motor frame.